

MATERIAL NUMBER	# OF COLUMNS	DIM "A" MAX	DIM "B"
75710-***5	5	25.90	14.80
75710-***6	6	29.60	18.50
75710-***8	8	37.00	25.90
75710-***0	10	44.40	33.30

75710-\*\*\*

MODULE TYPE -- TAIL PLATING TYPE

GUIDE RIGHT -- TIN/LEAD = 4

GUIDE RIGHT -- TIN ONLY = 5

POLARIZATION KEY ORIENTATION

0 = NO KEY

1 = A 5 = E

2 = B 6 = F

3 = C 7 = G

4 = D 8 = H

# OF COLUMNS

05 = 5 COL

06 = 6 COL

08 = 8 COL

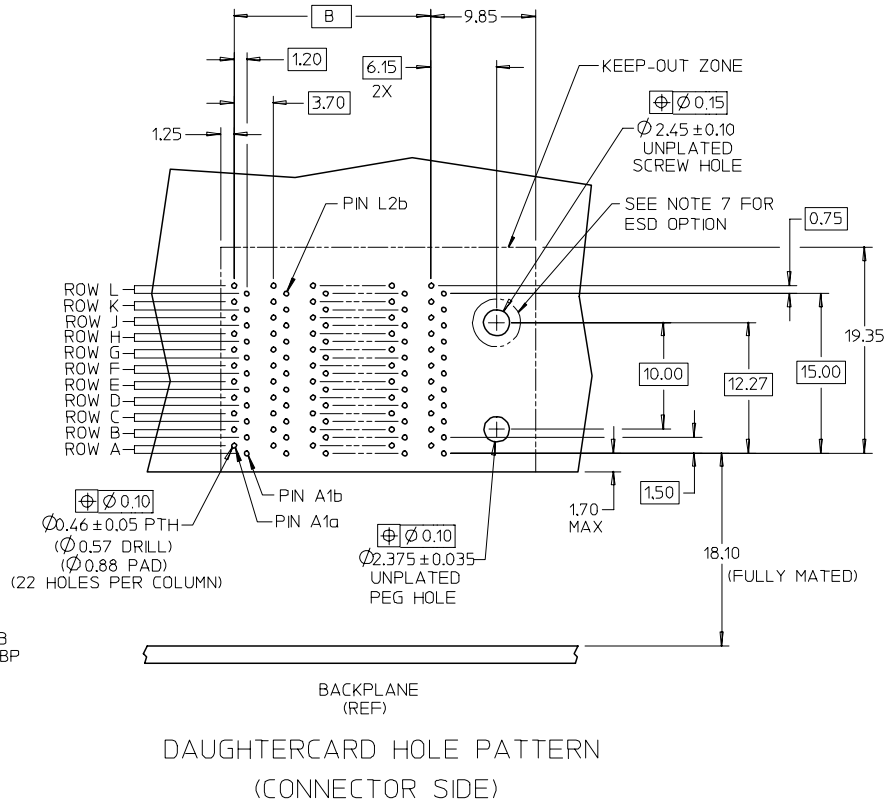
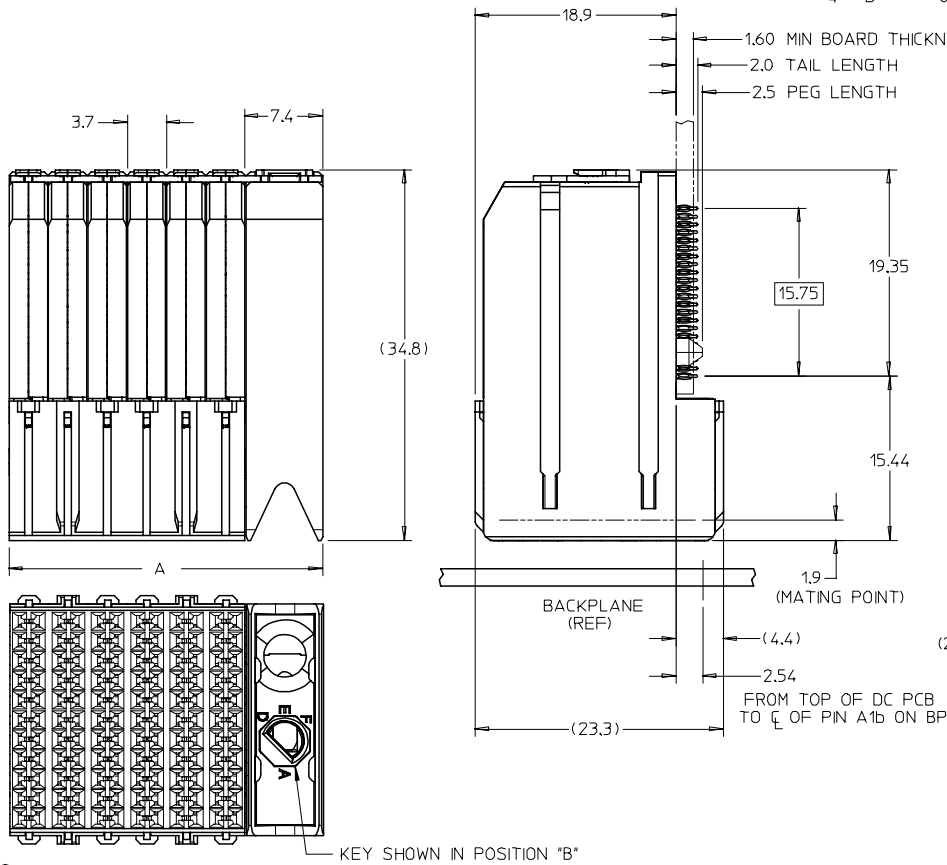
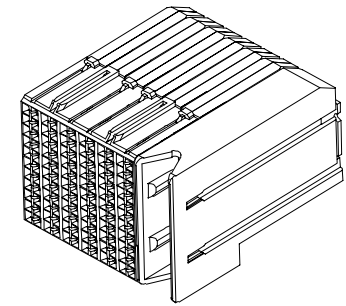
10 = 10 COL

55 = 5 COL W/ESD

56 = 6 COL W/ESD

58 = 8 COL W/ESD

50 = 10 COL W/ESD



NOTES:

- MATERIALS: HOUSING - LIQUID CRYSTAL POLYMER (LCP) GLASS-FILLED, UL94V-0  
TERMINALS - HIGH PERFORMANCE COPPER ALLOY
- FINISH: 30µIN MIN GOLD IN CONTACT AREA, SELECTIVE TIN/LEAD (-4\*\*\*)  
OR SELECTIVE TIN (-5\*\*\*\*) ON PCB TAILS, NICKEL OVERALL.
- REFER TO MOLEX PRODUCT SPECIFICATION PS-75710-999 FOR PERFORMANCE SPECS.
- PRODUCT IS PACKAGED PER PK-70873-609.
- THIS PART CONFORMS TO CLASS B REQUIREMENTS OF COSMETIC SPEC PS-45499-002.
- GUIDED PARTS TO BE SHIPPED WITH 2-32 TYPE AB  
SELF-TAPPING SCREW P/N 73726-0000.
- FOR GROUNDED GUIDE MODULES USE DIA 2.45+/-0.10 (PTH), DIA 2.58 (DRILL),  
AND DIA 4.50 (PAD).

ADD ESD OPTION FC NO: UCP2007-2348 DRAWN: BPI/SZCCOR 2007/03/19 CHKD: 2007/03/19 APPR: JLAURX 2007/03/19	QUALITY SYMBOLS =0 =0	GENERAL TOLERANCES (UNLESS SPECIFIED)		DIMENSION STYLE MM ONLY		SCALE 3:1	DESIGN UNITS METRIC	THIRD ANGLE PROJECTION
		4 PLACES ± --- ± ---	3 PLACES ± --- ± ---	2 PLACES ± 0.13 ± ---	1 PLACE ± 0.25 ± ---	ANGULAR ±1/2°	DRAWN BY JLAURX	DATE 2/17/05
DRAFT WHERE APPLICABLE MUST REMAIN WITHIN DIMENSIONS	MATERIAL NO. SEE CHART	APPROVED BY CBIXLER		DATE 2/17/05		MOLEX INCORPORATED		
		DOCUMENT NO. SD-75710-004		SHEET NO. 1 OF 1		THIS DRAWING CONTAINS INFORMATION THAT IS PROPRIETARY TO MOLEX INCORPORATED AND SHOULD NOT BE USED WITHOUT WRITTEN PERMISSION		